



封面
封底

骑马钉

单页尺寸: 103*145MM

封面: 157G双铜纸过哑胶

内页: 100G双胶纸



轮廓线
不需印刷



橙色以
1655C为准

Hey, find us here:



VANTRÚE www.vantrúe.net/contact



 facebook.com/vantrúe.live

Always a surprise in Vantrúe

CONTENTS

VERZEICHNIS

日本語作業マニュアル

1. What's in the box?	3
Was ist in der Box?	25
付属品を確認する?	49
2. Camera Overview	4
Die Übersicht über Kamera	26
各部の名称とはたらき	50
3. Getting Started	6
Vorbereitung vor dem Einschalten	28
入門	52
4. Basic Operation	10
Grundlegende Operation	32
基本的な使い方	57
5. Specifications	23
Spezifikationen	46
製品仕様	70
6. Warranty & Support	24
Garantie und Unterstützung	47
保証とサポート	71

1. What's in the box?



A. Car Charger with Built-in Mini USB Cable (10ft)

B. VANTRUE® S1 Dash Cam

C. Rear camera

D. Adhesive Sticker

E. Rear camera Bracket

F. Front Camera Bracket

G. USB Data Cable (3ft)

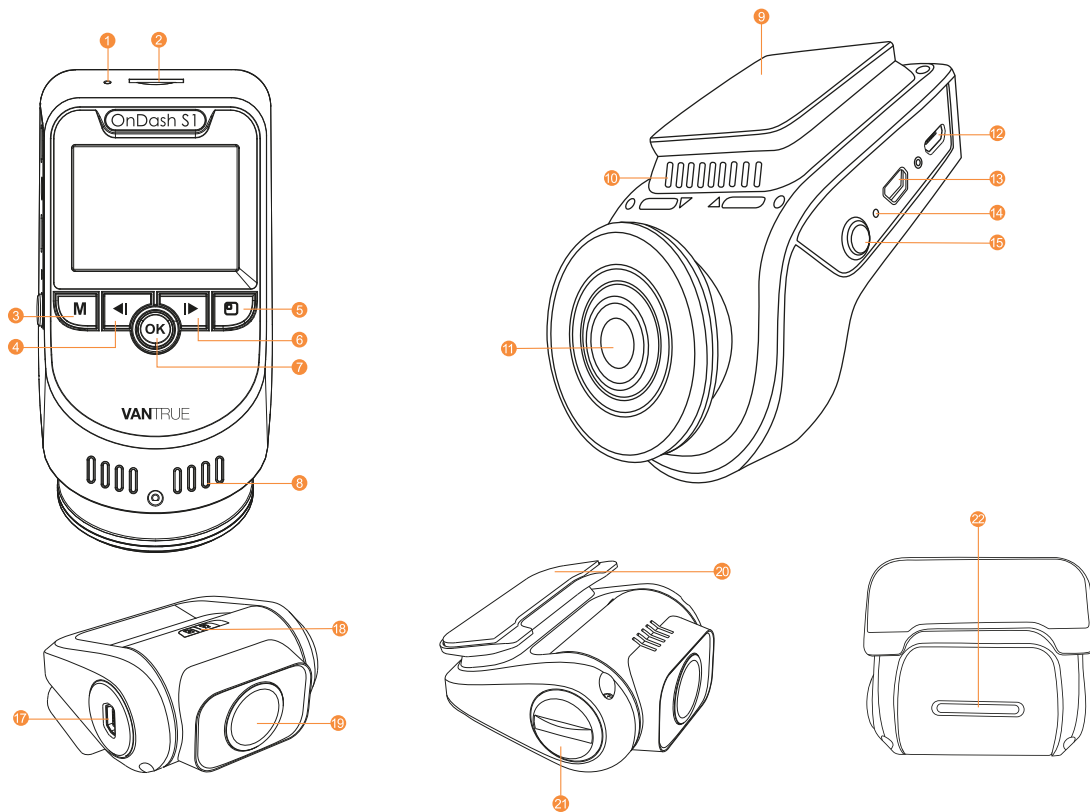
H. Rear Camera cable (20ft)

I. S1 Dash Cam User Manual

J. Quick Start Guide

K. Warranty Card

2. Camera Overview



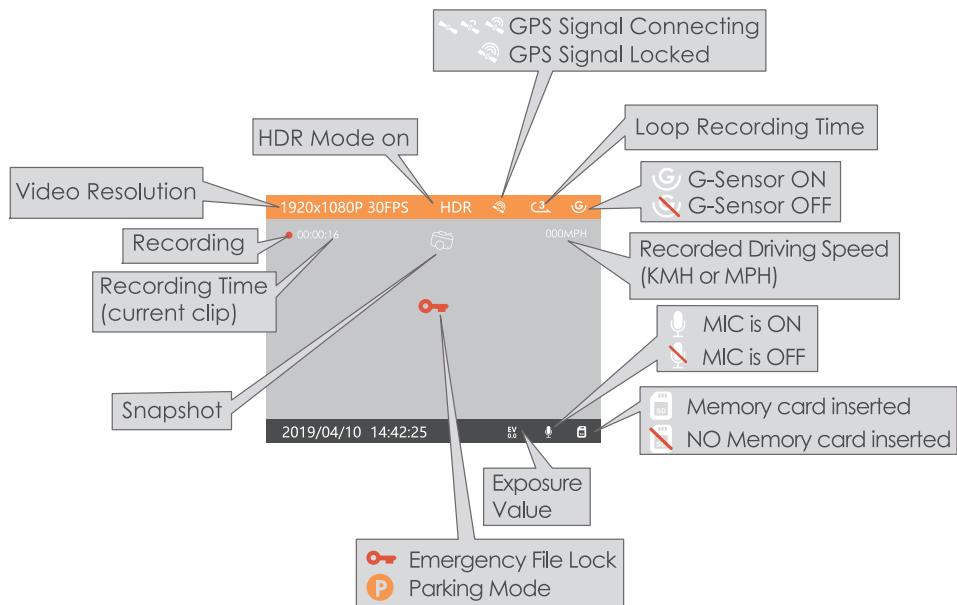
NO.	Name	Description
1	Microphone	Records clear audio with the video footage.
2	MicroSD Card Slot	Provides expandable storage.
3	Menu Button	Enter/exit setup menu.
4	Up Button	Stop/Start the video recording; Move selector up; Slow forward when playing back videos.
5	Screen Switch	For single lens version, press it to change the resolution. For dual lens version, press it to switch 3 screen view option.
6	Down Button	Move selector down; Microphone on/off. Fast forward when playing back videos.
7	OK Button	Confirms the action; Manually locks the currently recording video clip following emergency or to preserve important videos; Snapshot; Long press to enter Parking Mode when the camera is recording.

8	Radiator	To prevent the dash cam from overheating in working state.
9	Front dash cam clip socket	Connects to the dash cam bracket.
10	Speaker	Delivers sound during video playback.
11	Front Camera Lens	Front facing F1.47 170°wide camera for video recording. Its angle can be adjusted.
12	USB port	Use the car charger to supply DC 5V power for device.
13	Rear Lens Port	Use the rear camera cable connecting the rear camera.
14	Reset Button	Press to force reset the device.
15	Power Button	Power ON/OFF; Short press to screen off / on.
16	Serial Number	Serial Number for Warranty Registration.
17	Rear Camera Lens Port	Use the rear camera cable connecting the front camera.
18	Image Flip Switch	Toggle this switch to select the horizontal direction of the rear lens display as positive or mirror.
19	Rear Lens	Rear F1.8 160°wide camera for video recording. Its angle can be adjusted.
20	Rear camera Click Socket	Connects to the rear dash cam bracket.
21	Lens knob	Turn the knob to adjust the camera angle.
22	LED Status Indicator	Red light light on once connect the front camera.

LED Indicator

Red light blinks on the UP button [4]	Camera is recording
Red light light on the Down Button [6]	Camera is Charging
Red light light on the Rear Camera LED Status indicator [22]	Rear Camera is recording.

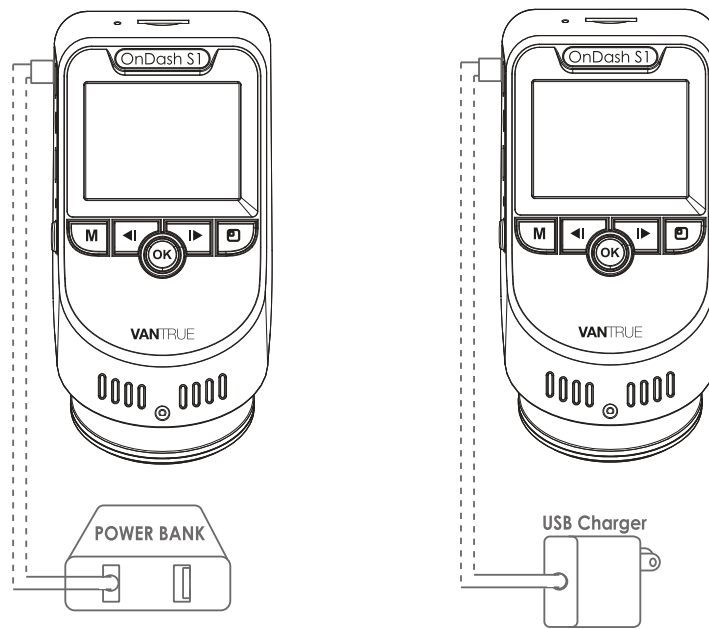
Screen overview



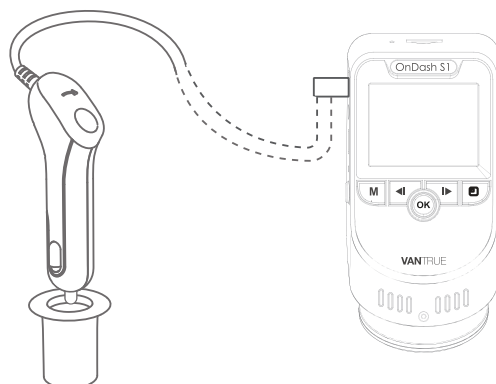
3. Getting Started

3.1 Before first use, charge the camera for 4 hours.

A. Charge using the supplied USB Car Charger



b. Ensure the Mini USB Cable and Car Charger are well connected



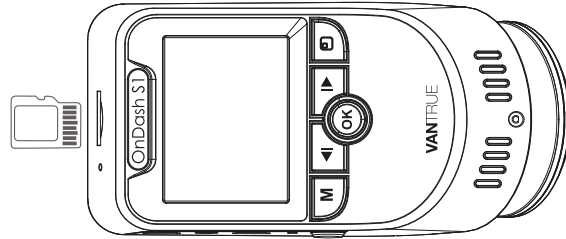
NOTE: When charging via computer with the mini USB cable, “Mass Storage” and “Power On” will be displayed on the camera screen, please select “Power On” to charge the dash cam.

3.2 Installing memory card (Please Don't use Sandisk SD card, Recommend Samsung Pro Endurance Card or Samsung Evo Card).

NOTE: To insert the card, power off the camera first, then push the card into the slot until it clicks again, otherwise the dash cam will say goodbye and shut off. To remove the card, power off the camera first too. Please use a genuine microSD memory card with a speed rating of class 10 or higher. We recommend Samsung Pro Endurance cards or Samsung Evo cards. Samsung Micro SD cards would only be made in either Korea or the Philippines. Please be sure to buy a genuine Samsung card.

NOTE: When using a 64GB MicroSD card, please format it to FAT32 on the camera first.

Please insert the card into the camera. If it says 'NO SD Card Inserted !' or 'error card please format' here, please press the UP button and then press the M button to access into the menu, go 'system setup' and choose 'Format SD Card'. Then choose the OK section and wait for few seconds. Then the card will be formatted successfully.
(If you format it on computer, please search online on "How to format 64GB micro SD card to FAT32".)

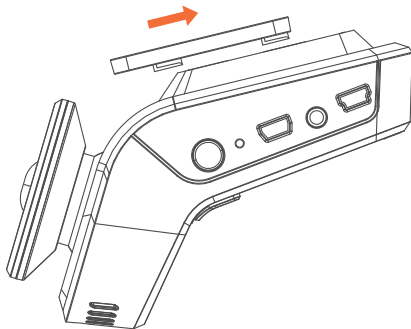


REMINDER:

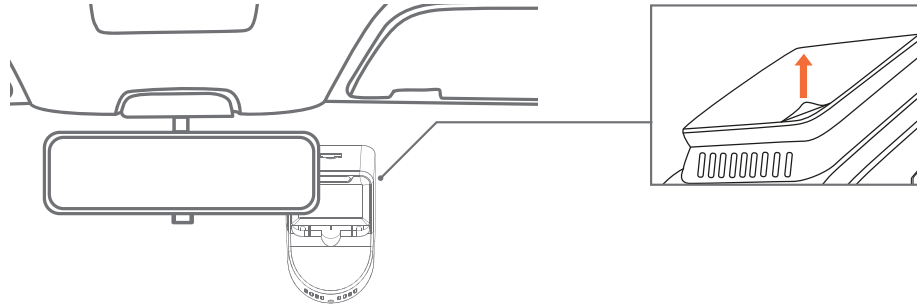
1. The MicroSD card should be formatted every 2 weeks to maximize the lifetime of the memory card.
2. Please do not take the card out when the camera is recording in case that the important video files missing.

3.3 Installing the camera onto your windshield

1. Install the bracket on the front dash cam .

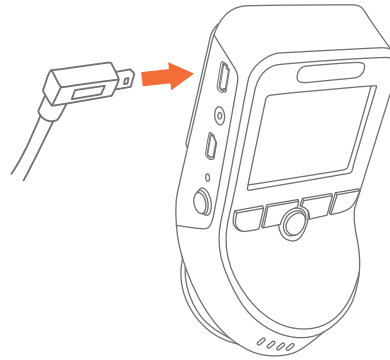
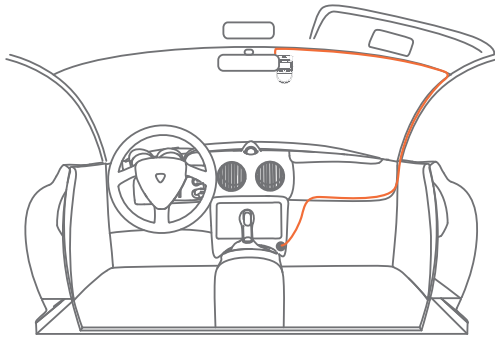


2. Thoroughly clean the windshield using water or alcohol, and wipe clean with a dry cloth.
3. Tear off the 3M tape, stick the Front Dash cam behind rear view mirror, which is the suggested position, to make sure the driver's front view is no impact.



4. Carefully route the power cable around the windscreen and tuck it under the trim.

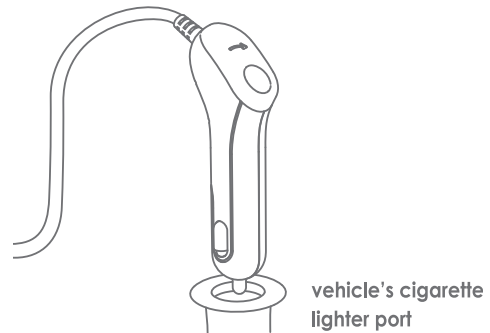
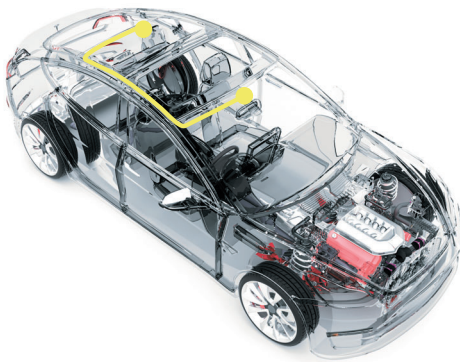
5. With the Mini USB Cable, connect the supplied Car Charger to the Camera into the device power interface.



6. Install the bracket on the rear dash cam, tear off the rear camera 3M sticker and stick it on the back windscreen.

7. Use the rear camera cable connecting the rear camera to the rear lens port of the device, carefully route the cable and tuck it under the trim.

8. Insert the Car Charger into your vehicle's cigarette lighter port.



9. Start the car.
10. The camera will auto power on and start recording.

4. Basic Operation

4.1. Power ON/OFF

Once the car starts on, the camera will automatically turn on and start recording.

When you do not want to use the dash cam, please long press the power button to turn it off, and long press the power button to turn it on again once you want use that.

There are two ways to turn OFF the camera:

a. Manually

Long press the power button to power it OFF.



b. Automatically

The camera will power off if the charger cable is disconnected or if the vehicle is turned off.

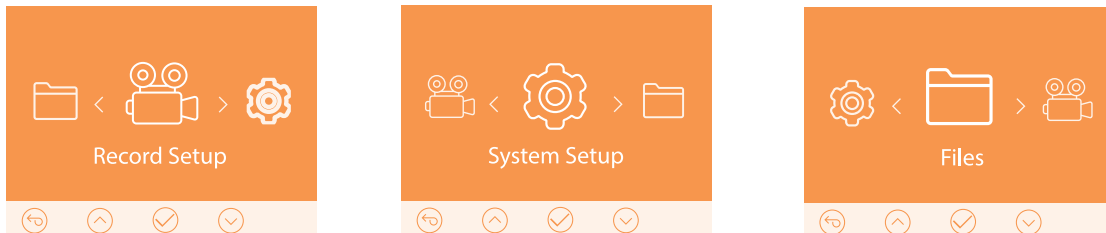
NOTE:

When charging via computer with the included mini usb cable, "Mass Storage" and "Power On" will be displayed on the camera screen, please select "Power On" to charge the dash cam.

4.2. Menu Settings

After powering ON the camera, press the MENU button to enter the setup process.

(If the camera is recording video, press the UP button to stop recording before pressing the MENU button.)



A. Record Setup

Press the DOWN button and highlight the Record Setup option. Press the OK button to enter the settings, and use the UP/DOWN buttons to navigate the different options.

► **Resolution:** By default (DUAL CAM RECORDING mode), both cameras record at 1920x1080 (30fps). In SINGLE FRONT CAM RECORDING mode: 2160P/24FPS; 1080P/60FPS; 1080P/30FPS; 720P/30FPS. In single front cam recording mode, you can press the screen switch to change the resolution.

► **Loop Recording:** This is set to 3 minutes per video clip. Press Down button to select among 1 min, 3 mins, 5 mins and OFF.

► **G-Sensor Set:** Default setting is Medium. Press Down button to select among High, Medium, Low and OFF.

► **Audio Recording:** Default is ON. Press OK and DOWN button to toggle it OFF/ON.

► **Exposure:** Default is 0. Press Down button to select among +2,+5/3, +4/3,+1.0,+2/3,+1/3,+0.0,-1/3,-2/3,-1.0,-4/3/-5/3,-2.0.

► **HDR:** Default is OFF. Press OK and DOWN button to toggle it OFF/ON.

► **Number Plate:** Default setting is OFF, Press Down and OK button to set your car number.

► **Stamp:** Default is ON. Press OK to toggle it OFF/ON. Stamp shows the date/time, logo, car number, GPS information.

► **Time Lapse:** Default is OFF. Press OK and DOWN button to toggle it OFF/ON.

► **Parking Monitor:** Default is OFF. Press DOWN followed by OK to toggle it OFF/ON.

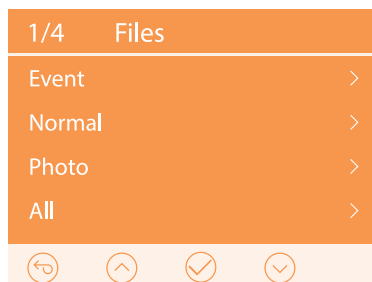
B. System Setup

- ▶ **Language:** Press OK and UP/DOWN button to select between English, Simplified Chinese, German, Japanese, Spanish, French, Russian and Italian.
- ▶ **Format memory Card:** Press OK, navigate DOWN and select OK to format the microSD card.
- ▶ **Time & Date:** Press UP/DOWN and OK button to set the current date and time. Press the MENU button to exit.
- ▶ **Auto LCD Off:** If the setup is 3 min, the dash cam screen would auto turn off after 3 min it start recording. If the setup is off, the screen will not turn off. Press the down button to select the duration in minutes: 1, 3, or OFF to disable it.
- ▶ **Non-use Auto Power OFF:** Default is OFF. If the setting of 3 MIN means the camera is ON but not in use, it will auto turn OFF after 3 minutes of inactivity. Press up and down button to choose between 1, 2 minutes or 3 minutes, 5 minutes, 10 minutes or OFF to disable this feature.
- ▶ **Device Sound:** Default is ON. Press the OK button to toggle it ON/OFF.
- ▶ **Frequency:** Default is 60Hz. Press OK to toggle between 50Hz/60Hz.
- ▶ **System Info:** Press OK to check the current firmware version.
- ▶ **Default Setting:** Press OK and select OK to reset the device back to stock factory settings. Press the MENU button to exit and complete the setup.
- ▶ **GPS:** Default is ON. Press the OK button to toggle it ON/OFF.
- ▶ **Speed Unit:** Press UP button to select KM/H or MPH.

C. Files

Review and delete images/videos stored in the file folders.

- ▶ **Event:** Critical event videos detected by G-Sensor activity or manually locked by user.
- ▶ **Normal:** Standard videos recorded.
- ▶ **Photo:** Standard images.
- ▶ **All:** All the standard videos, critical event videos and standard imaged recorded.



4.3 Set Date/Time

Open the MENU interface, navigate to “System Setup” ► “Time & Date”, and press the OK button to set the date/time. Navigate UP or DOWN to select date and time values. Press OK to confirm and proceed. To finish setup, just press the MENU button to exit.

NOTE:

Date format is YY/MM/DD with the time in 24 hour format.



4.4 Loop Recording

After inserting a memory card, the camera will (by default) immediately start loop recording video when connected to a power source and powered ON. If the device is not connected to a power source, it will not immediately start on and record.

While recording, the LED indicator will blink and a red dot will flash on the top left of the screen. You can stop/start the recording at any time by pressing the UP button.



By default, the Loop Recording Time is 3 minutes. Please go to “Record Setup” ► “Loop Recording” to change it to 1 minute or 5 minutes.

The loop recording video file name format is “Year_Date_Time_SerialA.MP4 ”. For example:“2019_0301_060101_001A.MP4”. the suffix A indicates front cam recorded files, while the suffix B refers to rear cam recorded files . Standard files are stored in the “Video/Normal” folder. When the Micro SD card is full, the camera will write over older files.

When Loop Recording is turned off, the camera will record video in 15 minute clips, but will not overwrite old videos when the storage card is full.

4.5 Event Recording

Critical event detection is triggered by the G-Sensor (Gravity Sensor) and will auto-detect vehicle impacts and collisions. This will cause the camera to protect the current video clip from being overwritten by locking it and saving the footage in the “Video/Event” folder.

The vehicle driver can also manually lock the current video recording session by pressing the OK Button. A key icon will appear at the center of the screen.

The vehicle driver can also manually lock the current video recording session by pressing the OK Button. A key icon will appear at the center of the screen.

The G-Sensor sensitivity is adjustable with 3 settings: Low, Medium, and High – it is set to Medium by default. The G-Sensor can also be deactivated in “Record Setup” ► “G-Sensor Set”.

Event videos are stored in the “Video/Event” folder, and cannot be automatically overwritten.

Note: The camera will auto overwrite old Event videos once the Event folder has accumulated 30% of the card capacity. Please regularly transfer important videos to your PC or another storage location (e.g. external hard drive). To maintain good read/write performance, the microSD card should be formatted every 1-2 two weeks.



4.6 Voice Recording

By default, the voice recording is ON. It can be turned OFF using either of the following methods:

- ▶ Go to “Record Setup” ▶ “Audio Recording”, press OK button and select OFF;
- ▶ While recording video, press the DOWN button to toggle voice recording OFF/ON.

When the voice recording has been turned OFF, the MIC icon at the bottom right of the screen will turn white with a red line across it.



4.7 Parking Mode

Parking Mode operates as a sentry function under different situations. To activate Parking Mode, go to “Record Setup” ► “Parking Monitor”, press OK and select ON.

When the Parking Mode has been turned on, and no movement is detected in front of the camera after 5 minutes of recording, then Parking Mode is activated. This is represented by an icon (P) at the right side of the screen.



In Parking Mode, once the camera detects movement at the front, it will start auto-recording; it will stop recording after 10 seconds of inactivity.

To manually activate Parking Mode, press and hold the OK button until the P icon appears on the screen.

The camera will exit Parking Mode if it detects it has been moved.

NOTE: To ensure the camera is able to function in Parking Mode, please keep it powered with a mobile power bank or hardwire it directly to the car battery. We do not recommend running the camera continuously for too long time.



4.8 TIME LAPSE

If TIME LAPSE is selected, the camera will take static photos at the set time interval at 1second to create a video montage. If you set up the time lapse, the camera will take one photo every second, and then stitch the photos together into a 1fps video. With a maximum recording frame rate of 30fps, recording 8 hours of video with Time Lapse 1Sec will generate a time apse video lasting just 16 minutes (=8 x 60 x 60/30/60). This Eco Mode is recommended for storage cards with smaller capacities.

**[Normal Recording Time =
Time LapseRecording Time (Sec) x Recording
Frame Rate FPS x Time Lapse Option]**



4.9 Taking a Photo

- ▶ When the camera is recording video, Please press the up button to stop recording then pressing the OK button will take a photo.
- ▶ When the camera is recording video, please press the ok button twice to capture a snapshot.



4.10 GPS Function

The GPS default is ON. Press the MENU button to enter setup, go to “System setup” ► “GPS ” to activate the camera’s GPS function. The GPS receiver will start to search for a GPS signal, the GPS icon will keep flashing on the screen. Once the GPS signal has been received and locked, the icon will stop flashing.



You can include GPS tracking and vehicle speed on the video footage, go to “Record Setup” ► “Stamp” ► “GPS ” to set. You can review recorded video using the VANTRUE® GPS Viewer (available for download on www.vantrue.net).

4.11 Viewing Video/Photos on the Camera

Press MENU and go to “Files”, press OK and UP/DOWN button to navigate to ► “Normal” or ► “Event” or ► “Photos” or ► “All” file folders to view and playback videos or photos on the camera display. Use the UP/DOWN buttons to select the file and press Confirm to playback/pause. During playback, press UP to Slow forward , and DOWN to fast forward .



Viewing files on a computer

1. Connect the camera to your computer using the supplied USB cable.
2. “Mass Storage” and “Power On” will be displayed on the camera screen, please navigate to “Mass Storage” and press OK button to transfer data.
3. Depending on your computer OS, the device will appear either as a removable drive or a removable volume.

NOTE: When connected to your computer under “Mass Storage” status, standard camera setup and operations will be disabled.

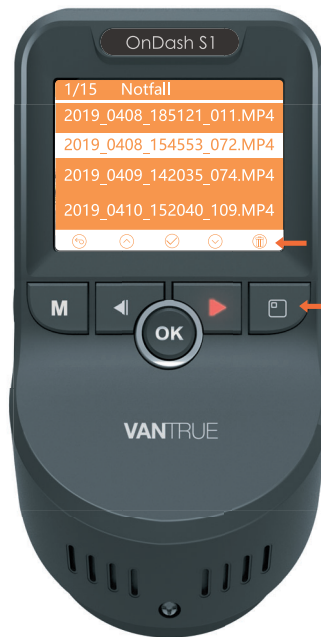
4.12 Delete Videos on the Dash Cam

Delete Normal Files

Go to Normal file, choose a video on the dash cam, one press the Screen Switch button, then press OK button to delete.

Delete Event Files

Go to Event file, choose a video on the dash cam, one press the Screen Switch button, then press OK button to delete.



4.13 Delete Videos on the Computer

1. Connect the camera to your computer using the supplied USB cable.
2. "Mass Storage" and "Power On" will be displayed on the camera screen, please navigate to "Mass Storage" and press OK button to transfer data.
3. Depending on your computer OS, the device will appear either as a removable drive or a removable volume.
4. Turn on the driver---find out the CRADV folder- Event/Movie / Photo folder-choose the video which you want to delete.

4.14 Auto LCD Off

This feature avoids any chance of the screen being a distraction in the vehicle, especially at night when the illumination from the LED screen can be a nuisance or even a hazard to the driver. If you set the Auto LCD Off to 3 minutes, the camera's LCD will light off after 3 minutes but recording will continue with RED light blinks on the UP button. You can press any button to light on the screen.

Please go to System Setup to adjust this time to 1, 3, or OFF to disable it so the LCD can always stay on.



4.15 Switch the view option or resolution.

For dual lens version, there are 3 screen view options: Dual view, front camera, and rear camera. When dash camera is powered on, press the Screen Switch button to switch views.



For single lens version, press the Screen Switch button to change the resolution. You can also change it in the Resolution setup.

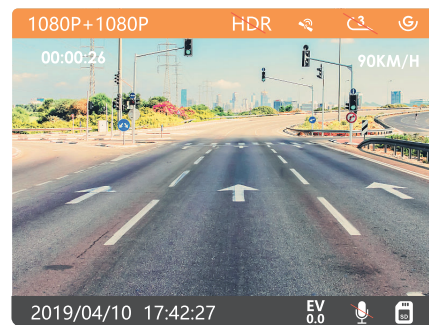


4.16 Image Flip Switch

You can select the horizontal direction of the rear lens display as positive or mirror via the image flip switch.



Positive Image



Mirror Image

4.17 Upgrading the Firmware

The system will automatically update if the microSD card contains the firmware upgrade file. The camera will restart once the upgrade has been completed.

The latest firmware version is always available at the official VANTRUE website (www.vantrue.net). We strongly recommend registering your product (www.vantrue.net/register) to receive a notification email when a new firmware update is available.

4.18 Working Temperature

The camera is designed to operate in temperatures from -4 – 158°F (-20-70°C), temperatures outside this range risk degrading the camera's performance work and causing damage.

To avoid damage

- In hot weather, do not expose the camera directly to the sun when the car is parked.
- In extreme winter conditions, i.e. -4°F (-20°C) or lower, detach the camera from the windshield when not in use, and store in the glove box.

5. Specifications

The specifications of this product may change without prior notice due to product improvements.

Model	S1
Processor	NOVATEK NT96663
Image Sensor	Front: Sony 327 Rear: Sony 323
Display	Front: 2.0 inch TFT LCD (4:3)
Lens	Front: 170° wide viewing angle, full 6 layer glass lens with F/1.47 wide aperture. Rear: 160° wide viewing angle, F/1.8 wide aperture lens.
Languages	English/ 简体中文(Simplified Chinese)/ German/ Japanese/ Spanish/ French/ Russian/ Italian.
Video	Dual cam recording: FHD 1920x1080 (30fps), Single front cam recording: 2160P/24FPS; 1080P/60FPS; 1080P/30FPS; 720P/30FPS
Image	JPEG format;
Audio	Built-in microphone and speaker
GPS	Built-in
USB Port	USB 2.0 (mini)
Battery	super-capacitor
Working Temperature	-4 – 158°F (-20-70°C)
Storage Temperature	-4 – 176°F(-20 to -80°C)
Compatible OS	Windows XP/Vista/7/8/10 &Mac OS

6. Warranty & Support

Warranty

The VANTRUE® OnDash S1 Dual Dash Cam comes with a full 12 months warranty.

If you register your product on our official site (www.vantrue.net/register), you can extend the warranty to **18 months**.

Support

If you have any questions regarding your product, please do not hesitate to contact us via Amazon or drop us an email at support@vantrue.net. Queries are typically answered within 12-24 hours.

Your opinion matters

VANTRUE® is firmly committed to always improving our products, services, and user experience. If you have any thoughts on how we can do even better, we welcome your constructive feedback and suggestions. Connect with us today at support@vantrue.net

Thank you for choosing VANTRUE!